

**High security**

Case hardened steel bodied padlocks  
Boron case hardened steel open shackle

BS EN 12320 approved  
Grade 4

**Maximum security**

Case hardened steel bodied padlocks

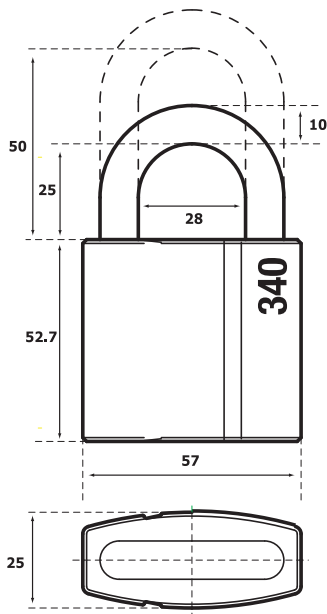
Boron case hardened steel open shackle  
BS EN 12320 approved  
Grade 5

**PL340/25  
PL340/50**



See Page 13

Mechanisms:  
Sentry, Protec, Novel

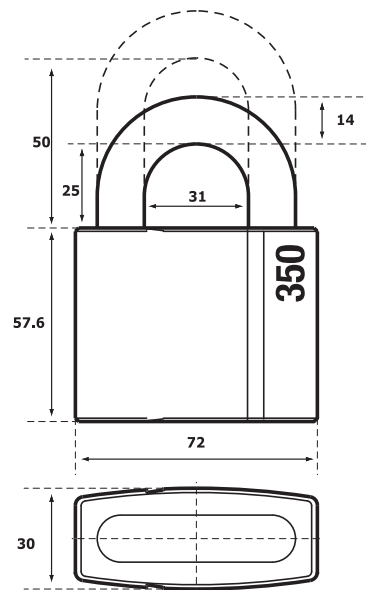


**PL350/25  
PL350/50**



See Page 13

Mechanisms:  
Sentry, Protec



TECHNICAL DATA	PL340/25 PL340/50	PL350/25 PL350/50
Chrome plated case-hardened steel body	53mm	58mm
Chrome plated case-hardened boron steel shackle	10mm	14mm
Rekeyable	•	•
Non-rekeyable	Special order	Special order
Key removable in locked position only	•	
Mechanism	11 disc	11 disc

**Mechanism covers**

Plastic covers to provide additional protection against dust, debris and moisture.



**802897**

For use with PL330



**802858**

For use with PL350



**808248**

For use with PL330



**805649**

For use with PL340 and PL341



**Padlock chains**

- 12mm diameter shackle hole
- 220mm length
- Zinc plated polyester coated
- Case hardened steel
- Security fixing screws included



**805349**

Suitable for use with PL330/25 padlock 8mm shackle



**805351**

Suitable for use with PL340 and PL341 padlock 10mm shackle



**SWP**

Available in PL330, PL340 and PL350

- IP57 rated
- Ideal for protection in extreme weather



**Standards**

ABLOY® padlocks have been designed not only to meet the European Standard BS EN12320, but to exceed them. We rigorously assess the durability of our padlocks with tests such as the acetic acid salt-spray test, which ensures that our padlocks can withstand the elements when used in exposed locations.

The quality system used in the ABLOY® factory meets the requirements of the international Quality System Standard ISO 9001 (corresponds to the USA Standard ANSI/ASQC Q91) plus ISO 14001.

BS EN12320 REQUIREMENTS	BS EN GRADE					
	1	2	3	4	5	6
Minimum number of differs	300	1000	2500	5000	10000	20000
Pulling of shackle/staple (kN)	3	5	15	30	70	100
Twisting of shackle/staple (Nm)	40	100	200	450	1200	2500
Cutting of shackle/staple (kN)	6	15	25	35	70	100
Blow on shackle/staple (x 5 times) (weight/g x height/mm)			1250x800	3050x1000	6550x1400	7150x1500
Test temperature			-20°C	-20°C	-40°C	-40°C
Blow on lock body (x 5 times) (weight/g x height/mm)			1250x800	3050x1000	6550x1400	7150x1500
Test temperature			-20°C	-20°C	-40°C	-40°C
Load on cylinder plug or locking mechanism (kN)			4	5	10	15
Drilling (minutes)				2	4	8
Sawing (minutes)				2	4	8
Torque resistance of cylinder plug (Nm)			5	15	20	30

SCANDINAVIAN PADLOCK NORM SSFN 014	SECURITY GRADES					
	-	1	2	3	4	5
Sawing test (minutes)	-	-	1	-	-	-
Picking test (minutes)	-	2	2	10	10	30
Breaking test using hand tools (minutes)	-	-	-	5	10	15

**Test Procedure in Scandinavian countries using handtools**

Prior to testing, product is made available to the "Test Group" in its unassembled form and technical drawings are examined.

One person only attacks the product, aided by one other person, who can assist by holding the padlock with 700mm pipe tongs. One or all of the following tools may be used in attempting to open padlock in the shortest possible time.

- Hammer 700G
- Screw driver 300mm
- Metal chisel
- Bolster
- Vice grip locking pliers 300mm
- Standard pliers 300mm